

# **Users Manual**

Dear Valued Customer,

Thank you and congratulations on purchasing our appliance. All our products are made to the highest quality and design standards. We are sure you will enjoy your new appliance. Please ensure this manual is read carefully before installation and use. If you follow the recommendations contained in this Instruction Manual, our appliance will give you constant high performance and will remain efficient for many years to come. Please take special note of all detailed technical information and installation instructions. It is essential that you only allow a qualified technician to install this appliance to ensure the safety and reliability of this appliance. Furthermore, not using appropriate personnel to install this appliance may affect any future warranty claims lodged, so please check with us before any installation is carried out.

We hope you enjoy your new appliance.

**Contents**

Warning & Safety ..... 1  
Preparation before installation ..... 2  
Installation steps ..... 3  
Parts list ..... 5  
Electrical diagram..... 8  
Operation & Maintenance..... 9

**Warning**

**Our products is comply with laws and regulations , however, if it is improperly used might lead to personal injury or appliances damaged.**

**Read the manual carefully. It contains important information regarding installation safety and maintenance. Keep this manual in a safe place for future reference.**

**Safety**

In certain circumstances, electrical appliances may be a danger hazard:

- \* Do not check the status of the filters while the canopy is operating.
- \* Do not use this product outdoor.
- \* Disconnect the electrical plug prior to any maintenance.
- \* Children don't recognize the risks of electrical appliances. Therefore use or keep the appliance only under supervision of adults and out of the reach from children.

\*This appliance is not intended for use by persons (including children) with reduced physical, sensory or mental capabilities, or lack of experience and knowledge, unless they have been given supervision or instruction concerning use of the appliance by a person responsible for their safety.

Children should be supervised to ensure that they do not play with the appliance.

**Safety Precaution**

Take care when the canopy is operating simultaneously with an open fireplace or burner that depends on the air in the environment as the canopy removes the air from the environment which a burner or fireplace need for combustion. The negative pressure in the environment must not exceed 4Pa (4x10<sup>-5</sup> bar). Provide adequate ventilation in the environment for safe operation of the canopy. Follow the local regulations in force for external air evacuation.

### **Technology Safety**

- Assembly and electrical connections must be carried out by qualified personnel.
- An earth cable is necessary.
- The products must be installed so that the plug is easily accessible.

### **WARNING!**

**In certain circumstances, electrical appliances may be a danger hazard:**

- **Do not check the status of the filters while the canopy is operating.**
- **Do not touch bulbs or adjacent areas, during or straight after prolonged use or operation.**
- **Flambè cooking is prohibited underneath the canopy**

**Before connecting the model to the electricity network:**

**Ensure the voltage and data on the data plate correspond to the network and socket. If in doubt, contact a qualified electrician.**

### **Steps:**

Note 1: Carefully remove the protective film from chimney and front panel prior to final installation.

Note 2: At least two people will be required to mount the hood.

### **Fixing to the wall**

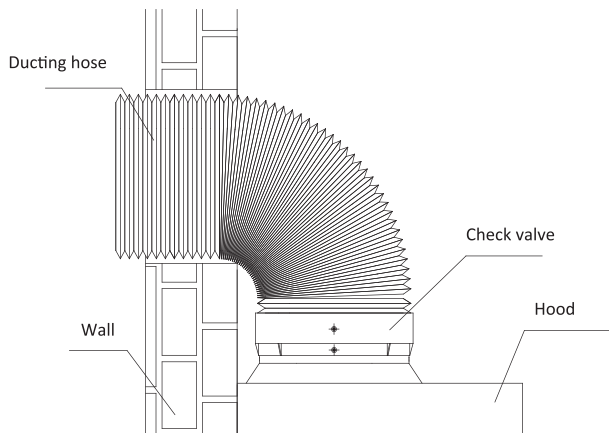
1. Drill the holes according to the distances indicated.
2. Fix the appliance to the wall and align it in horizontal position to the wall units.
3. When the appliance has been adjusted, fix the hood using the screws. For the various installations use screws and screw anchors suited to the type of wall (e.g. reinforced concrete, plasterboard, etc.). If the screws and screw anchors are provided with the product, kindly check the screws are suitable for the type of wall in which the hood is to be fixed.

## Fixing Chimney

1. Arrange the electrical power supply within the dimensions of the chimney. If your appliance is to be installed in the ducting version or in the version with external motor, prepare the air exhaust opening.
2. Adjust the width of the support bracket of the exterior chimney. Then fix it to the ceiling using the screws make sure that it is in line with your hood and respecting the distance from the ceiling indicated in Connect the flange to the air exhaust hole using a connection pipe.

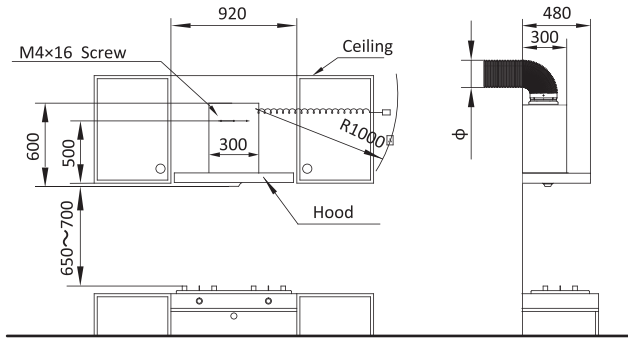
## Installation steps

1. Drill holes at depths, 50mm depth, plastic expansion tube, and two ST5X45 wood screws to fix the hook bar on the wall.
2. An air outlet seal ring is arranged on the outlet of the main engine, and the outlet outlet is fixed on four M4X16 circular flat head screws.
3. Insert one end of the exhaust pipe into the outlet seat and secure the exhaust pipe with two ST2.9X6 self tapping screws on the side.
4. Hang the main hole on the hook bar and hang the other end of the exhaust pipe outside. Or access the public flue interface to seal it.
5. Two M4X16 screws are fixed on the hook bar to prevent the fume hood from falling off accidentally.



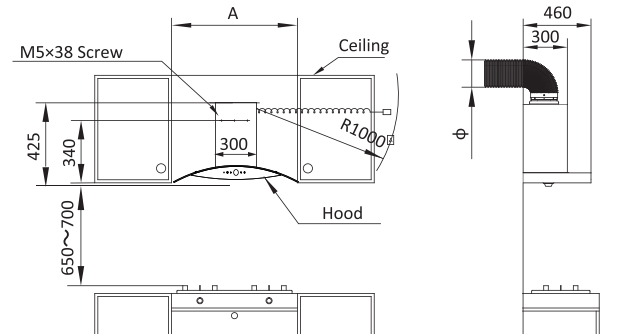
## Installation steps

### 1-1 HT9018/HT9016/HT9025

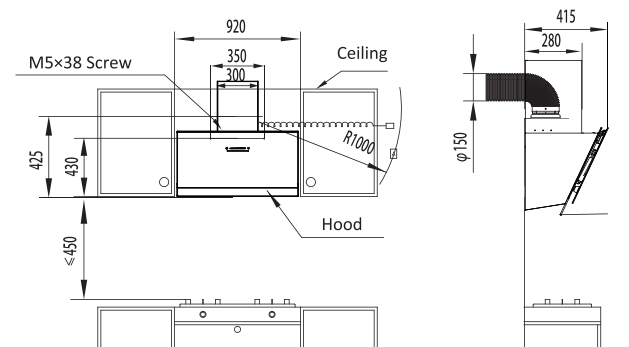


### 1-2 HC9065/HC9066/HC9068/HC6065/HC6066/HC6068

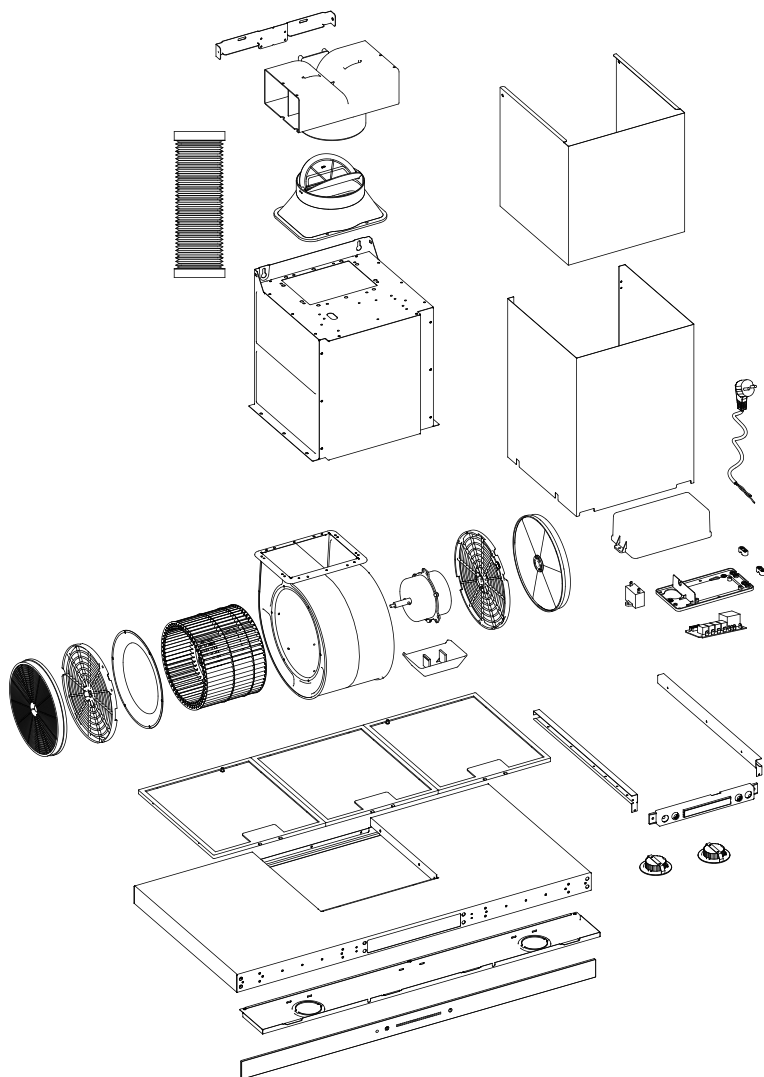
A=920(HC9065/HC9066/HC9068); A=620(HC6065/HC6066/HC6068)



### 1-3 HA9085/HA9086/HA9088



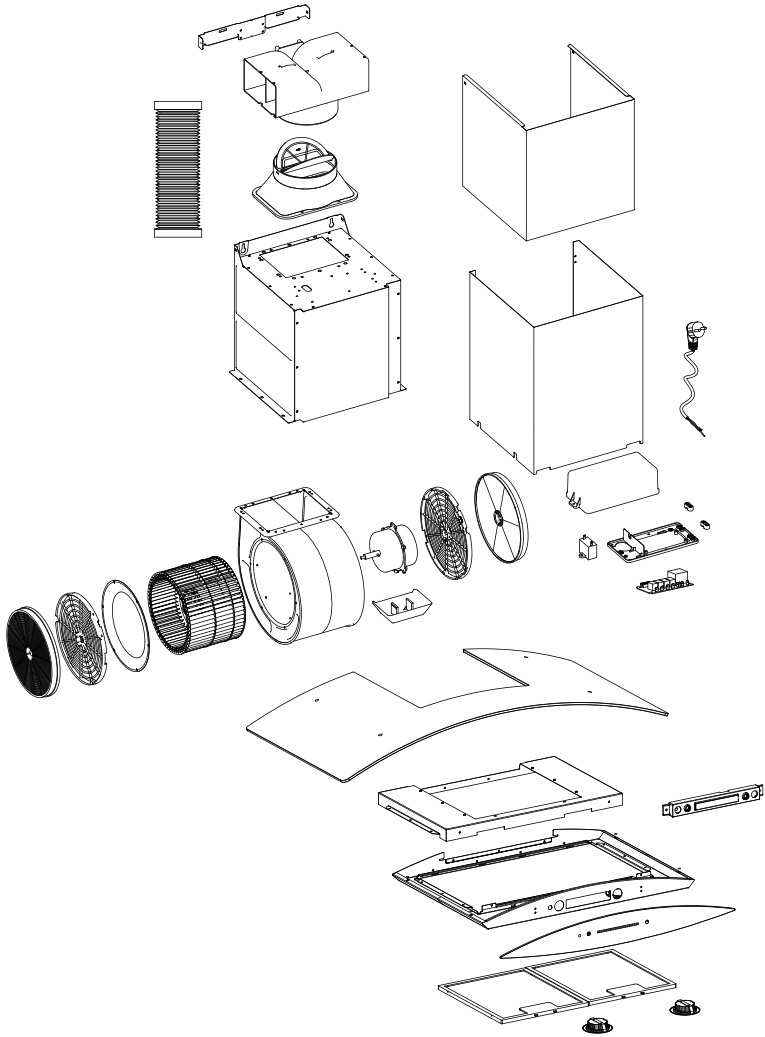
HT9012/HT9022/HT9015



# Parts list

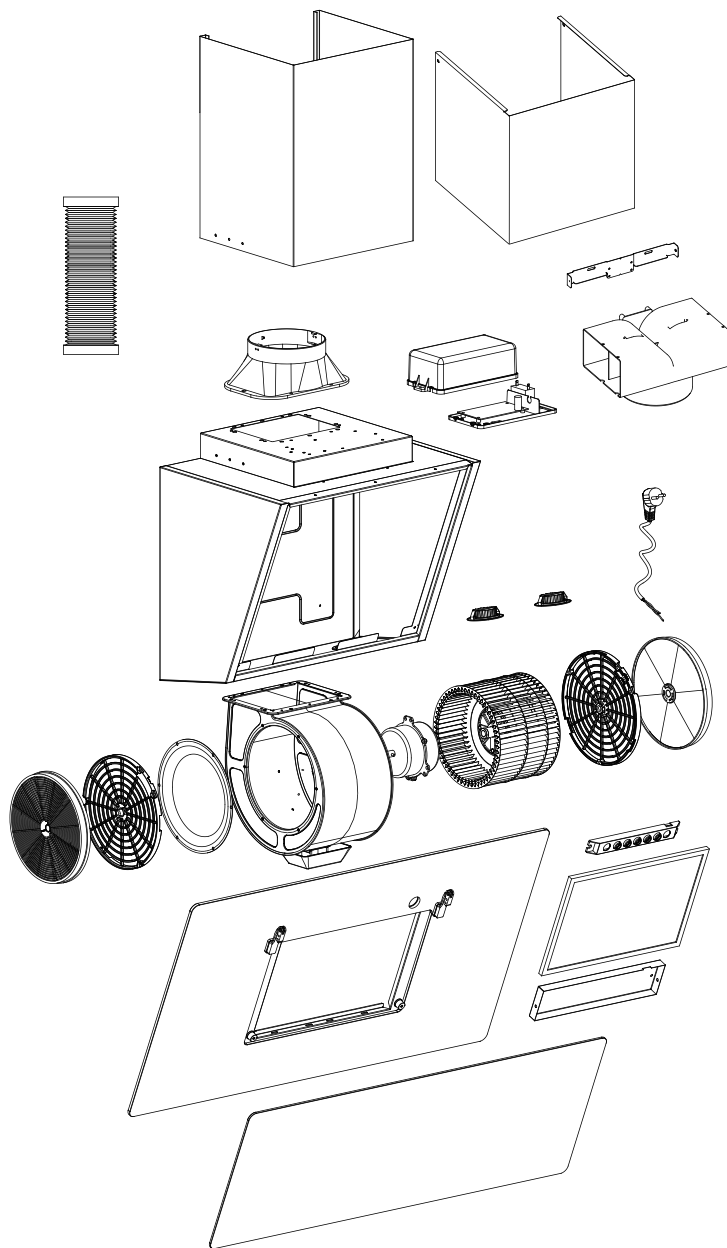
---

HC9065/HC9066/HC9068/HC6065/HC6066/HC6068



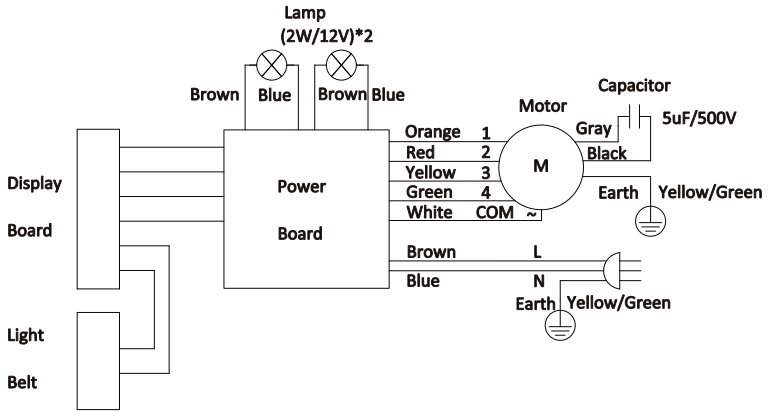


HA9088/HA9086/HA9085

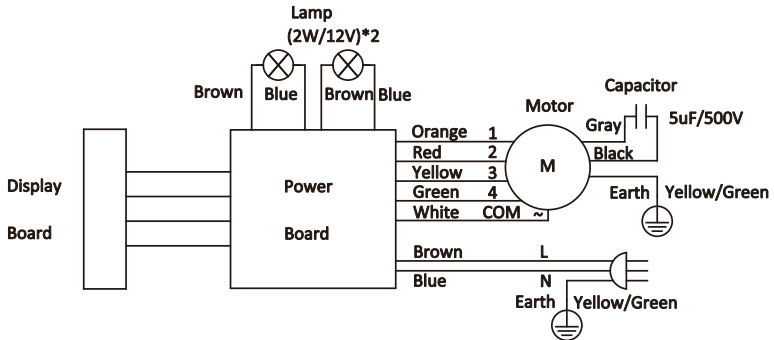


# Electrical diagram

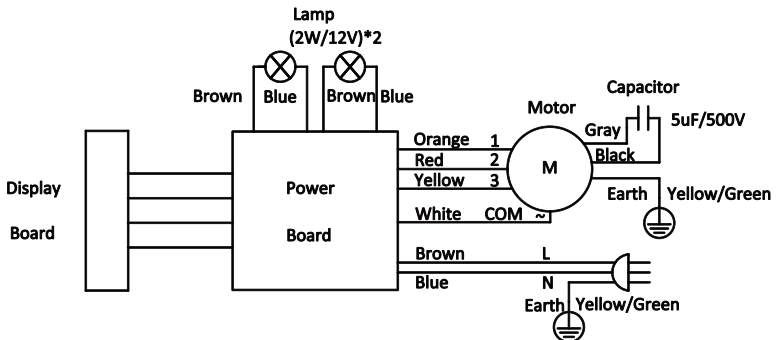
## HA9088



## HT9012/HC9068/HC6068



## HT9022/HT9015/HC9066/HC9065/HA9085/HA9086/HC6065/HC6066



HT9012/HC9068/HC6068

Touch light button once to switch on and twice to switch off the light.  
 Touch/Slide on the speed bar to adjust speed level, be reminded that intensive speed (4th speed) only lasts for 3 minutes and automatically exit to 3rd speed while you can restart it by touching on the end section of speed bar again.  
 Touch delay-off button once to enter 3-minute delay-off mode and touch twice to switch off the hood immediately.

HT9015/HC9065/HC6065

Touch light button once to switch on and twice to switch off the light. Select different speed level (High, Middle, Low) by touching different speed button.  
 Touch delay-off button once to enter 3 minute delay-off mode and touch twice to switch off the hood immediately.

HT9022

Press light button once to switch on and twice to switch off the light. Select different speed level (High, Middle, Low) by pressing different speed button.  
 Press delay-off button once to enter 3 minute delay off mode and press twice to switch off the hood immediately.

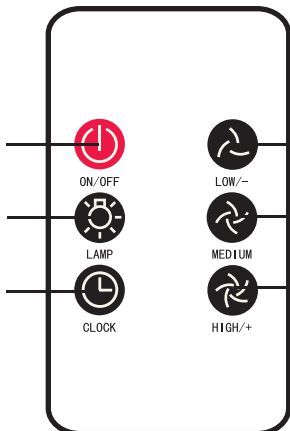
HC9066/HC6066

Touch light button once to switch on and twice to switch off the light. Increase speed level by touching '+' button and decrease speed by touching '-' button, instantaneous speed level will be displayed on the screen. Touch delay-off button once to enter 3 minute delay-off mode and touch twice to switch off the hood immediately.

Press once to enter standby mode.  
 Press again to switch off.  
 During motor running, press for 3-minute delay off.

Press to switch on lamp.  
 Press again to switch off lamp.

Null button, doesn't work in any mode,  
 will be initiated in next generation hood.



Press to run motor at lowest speed or lower the speed, or stop running.

Press to run motor at medium speed or stop running. Doesn't work for 4 speed models.

Press to run motor at highest speed or increase the speed, or stop running.

## MAINTENANCE

Glass and aluminum are two of the easiest materials to keep clean. Occasional care will help preserve its fine appearance.

Cleaning tips:

- \* Hot water with soap or detergent is all that is usually needed.
- \* Follow all cleaning by rinsing with clear water. Wipe dry with a clean, soft cloth to avoid water marks.
- \* For discolorations or deposits that persist, use a non-scratching household cleanser or stainless steel polishing powder with a little water and a soft cloth.
- \* For stubborn cases use a plastic scouring pad or soft bristle brush together with cleanser and water. Rub lightly in direction of polishing lines or “grind” of the aluminum finish. Avoid using too much pressure that may mar the surface.
- \* Do not allow deposits to remain for long periods of time.
- \* Do not use ordinary steel wool or steel brushes. Small bits of steel may adhere to the surface causing rust.
- \* Do not allow salt solutions, disinfectants, bleaches, or cleaning compounds to remain in contact with aluminum finish for extended periods. Many of these compounds contain chemicals that may be harmful. Rinse with water after exposure and wipe dry with a clean cloth.
- \* Painted surfaces should be cleaned with warm water and mild detergent only.